

新型電動トルクレンチ Electric Nutrunner



Technical data,
<http://www.plarad.net/>

PLARAD[®]
Torque & Tension Systems



The new generation – DE1

We have managed to squeeze 3,600 Nm of concentrated power into 465 millimetres. Our new more powerful nut runner DE1 is shorter and more slender than its predecessor.

The DE1 has been equipped with a new control system which includes voltage monitoring and speed sensing to allow you to complete bolting processes with even greater precision and reliability. As it reliably offsets any voltage fluctuations and changes in temperature, this new nutrunner delivers superior torque accuracy. The DE1 switches automatically to the available mains frequency (e.g. 50 Hz or 60 Hz).

The Plarad nut runner of the latest generation:
Slimmer, lighter & more intelligent!

Exceptional flexibility

The drive rotates 360°.

First-rate technology

The digital multi-function display (O-LED) offers the user outstanding ease of use and a comprehensive range of indications:

- The operating menu largely dispenses of text.
- The two-digit torque rating 00-99 can be adjusted using the corresponding buttons.
- The measured values of mains voltage, mains frequency, and the motor temperature are indicated on the display.
- Another option is to display the torque setting (as listed in the enclosed torque table).
- A host of additional features, e. g. Keylock and loosening mode, are available in the symbol navigation menu.



Maximum safety

The motor temperature is monitored constantly. When overheating, the motor is switched off automatically.

Perfect handling

The highly advanced ergonomic design and the low-vibration technology of the nutrunner reduce strain on your muscles and joints (HAVS).

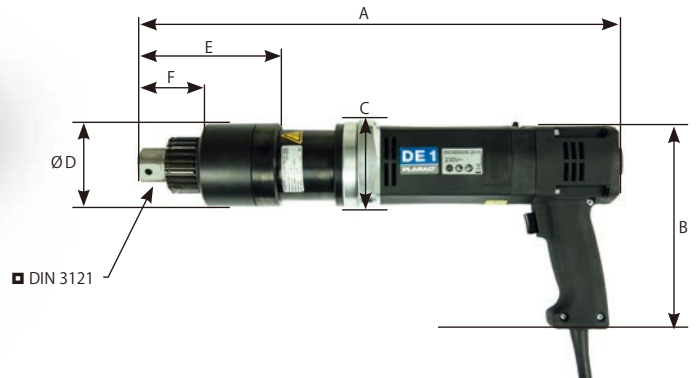


Optimised gearbox

Designed to sustain a constant load, the gearbox is now slimmer, shorter and lighter.



オプション：STトルクメーター
デジタル表示。1Nm単位でトルク測定。

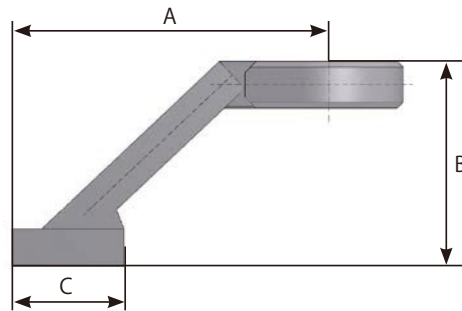


機種名	出力トルク (N・m)	毎分回転数 (rpm)	A (mm)	B (mm)	C (mm)	Ø D (mm)	E (mm)	F (mm)	出力軸 (mm)	重量 (kg)
PL10STD	250-1,000	19.6	425	192	85	68,5	146	60,5	19.0口	5.7
PL20STD	500-2,000	12.0	449	192	85	80	132	61,5	25.4口	6.8
PL30STD	750-3,000	8.0	449	192	85	80	132	61,5	25.4口	6.8
PL36STD	750-3,600	5.2	465	192	85	80	132	61,5	25.4口	7.2

- 定格電力：1450W(200V 7.25A) 200V単相が標準推奨機です。
- 増し締めを行う場合：仮締めトルクは機種の最大トルクの30%までとなります。

Protection class: IP20

標準反力受けサイズ



反力受け Type	A (mm)	B (mm)	C (mm)	Weight (kg)
PL10STD	130	100	60	0,5
PL20STD	130	100	60	1,5
PL30STD	170	110	60	2,0
PL36STD	170	110	60	2,0

オプション：アクセサリ



Various accessories including fittings, extensions, Steel rings which can be welded, sockets, reaction arms or the mobile measuring unit Torque Control are available both as standard and custom models.



株式会社 日本プララド

<http://www.plarad.net/> E-Mail : info@plarad.net

本 社 〒651-2404 兵庫県神戸市西区岩岡町古郷 255-6
TEL 078-967-3556 FAX 078-967-3567

関東支社 〒230-0062 神奈川県横浜市鶴見区豊岡町 26-10-101
TEL 045-570-5333 FAX 045-585-5656

全国拠点 札幌、仙台、埼玉、横浜、大阪、神戸、愛媛、北九州