

PLARAD®

Torque & Tension Systems



TWO HAND OPERATION

NO HAVS

LOW NOISE

pneumatic **Safety Nutrunner**

Play it safe!

It's our prime principle not only to give you an advantage over competition, but also to guarantee the safety at work. In order to avoid the users hand getting near the danger zone at the bolting, the handling of this nutrunner was basically newly defined.

To prevent accidents the nutrunner only works if both hands are in the right position. This intelligent two-hand operation mode is a lot safer and more comfortable. Now you can tighten your bolts faster and even decrease the risk of accident.

PLARAD®
Torque & Tension Systems

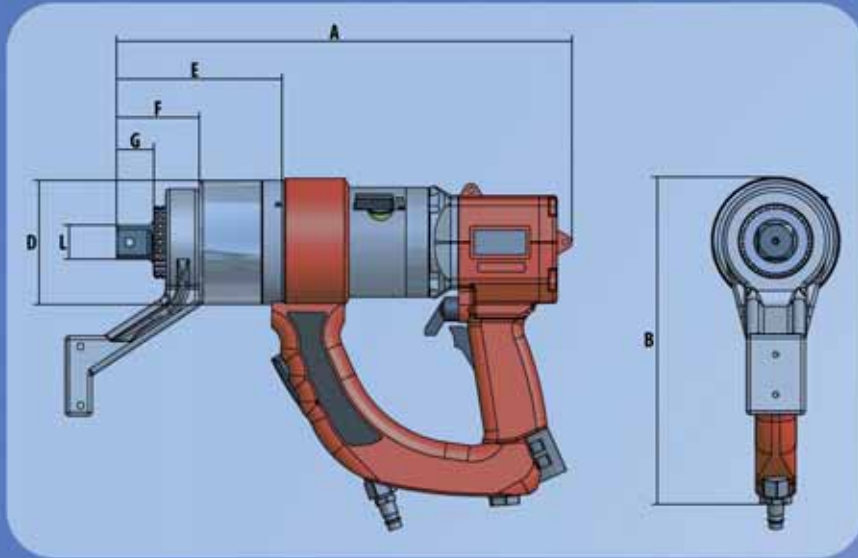


**Maschinenfabrik Wagner
GmbH & Co. KG**

Birrenbachshöhe · PO-Box 1160
D-53798 Much · Germany

Phone: +49(0)22 45/62-17
Fax: +49(0)22 45/62-22

E-Mail: wagner@plarad.de
www.plarad.de



- pneumatic Nutrunner with idle and load gear
- safe two-hand operation mode
- No HAVS (Hand/Arm Vibration Syndrome)
- low noise level
- fine adjustable torque setting
- left/right operation (reversible)
- Compact, easy handling, no-impact forces
- 360° reversible safety drive unit
- Right/left-hand operation mode

pneumatic Safety Nutrunner

Type	Working Pressure	Torque capacity		RPM at 6 bar	Weight (w/o reaction arm)
DPM 08 TLX-S	0,6 - 7,2 bar	1. Gear	50 - 300 Nm	58,0	5,9 kg
		2. Gear	100 - 825 Nm	19,0	
DPM 12 TLX-S	0,6 - 7,2 bar	1. Gear	75 - 450 Nm	30,0	6,0 kg
		2. Gear	150 - 1220 Nm	8,0	
DPM 17 TLX-S	0,6 - 5,6 bar	1. Gear	100 - 600 Nm	25,0	7,0 kg
		2. Gear	300 - 1750 Nm	7,0	
DPM 28 TLX-S	0,6 - 5,4 bar	1. Gear	150 - 1000 Nm	9,4	8,7 kg
		2. Gear	400 - 2850 Nm	2,6	
DPM 47 TLX-S	0,6 - 5,4 bar	1. Gear	200 - 1800 Nm	6,0	9,6 kg
		2. Gear	600 - 4700 Nm	1,7	
DPM 65 TLX-S	0,6 - 6,4 bar	1. Gear	300 - 2600 Nm	5,3	13,4 kg
		2. Gear	800 - 6500 Nm	1,5	

Type	A	B	D	E	F	G	L (inch)
DPM 08 TLX-S	307	230	74	125	57	24	3/4"
DPM 12 TLX-S	312	230	74	130	62	27	1"
DPM 17 TLX-S	319	230	93	140	61	27	1"
DPM 28 TLX-S	367	230	98	150	70	27	1"
DPM 47 TLX-S	402	230	99	162	84	40	1½"
DPM 65 TLX-S	434	230	120	218	98	42	1½"