

Keep moving what needs to stay in motion

DA2*motion*

The next generation



Water sector



Energy sector



Chemical industry



Oil & gas industry



Transport sector



Engineering





Always moving with the **DA2***motion*



Across all industries

Water, energy, transport or chemical industry – the DA2*motion* guarantees that work is performed quickly and safely.

Mobile

Our latest wireless drive solution covers all your motion tasks off.

Diversity

Our expansion kits offer accessories to meet your specific needs.



Fast and powerful

- High output speed (up to 99 rpm)
- Four-speed gear drive improves work rates compared to similar drive systems
- 5.2 Ah Li-ion high-power batteries provide permanently high supply of electricity
- Time-Savings thanks to one single mobile drive solution for all work tasks

NEW!

Precise and flexible

- Digital counter with high resolution in increments of 10, for a precise repositioning
- Optimum gear ratio due to precise planetary gear
- Two versions with max. torque either 550 Nm or 1,000 Nm
- Extensive expansion kits offer perfectly matching accessories for any job

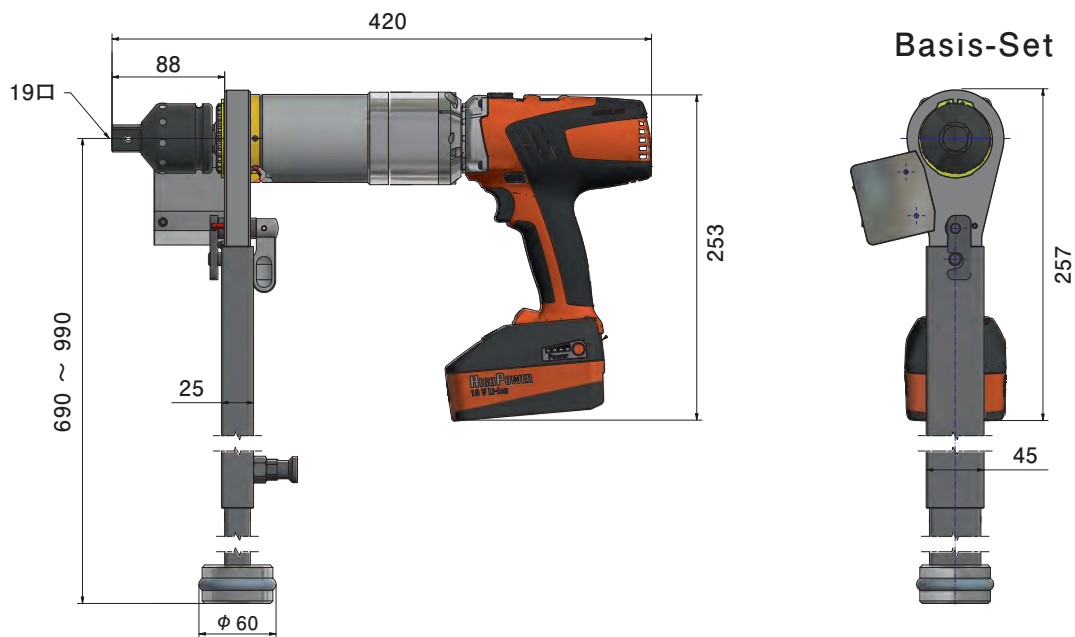
NEW!

Ergonomic and safe

- Low vibrations and low noise due to brushless FEIN[®] drive
- Soft start and stop function due to infinitely adjusting trigger: for preventing system damage
- Patented fully automatic swivel joint lock: prevents punches on wrists and arms and swivelling of the nutrunner
- Reaction arm with bump stop: protecting pressure-sensitive surfaces

NEW!





プラド機種名	出力トルク (N・m)	毎分回転数 ギア1	毎分回転数 ギア2	毎分回転数 ギア3	毎分回転数 ギア4	出力軸	重量
DA2 motion-05	90Nm-550Nm	11.1 rpm	22 rpm	50.2 rpm	99 rpm	19mm	5.3kg
DA2 motion-10	120Nm-1000Nm	6.8 rpm	13.9 rpm	31.7 rpm	63 rpm	19mm	5.3kg

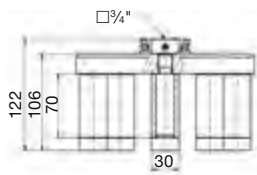
- 100V 充電器1台、リチウムイオンバッテリー(18V 5.2Ah) 2個が標準付属。
- 標準は回転カウンター無し。 Basisセット=オプションの回転カウンター付き反力受け(長さ調節可能 690~990mm)が付属。
- バルブハンドル形状に合わせて2本足型 延長反力受け、ホイール回転爪の専用アダプターを製作。 販売とレンタルが可能です。

Accessory sets

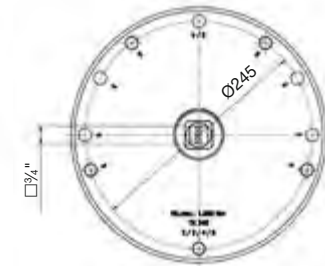
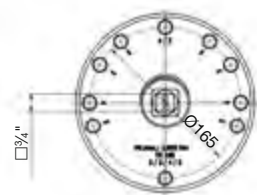
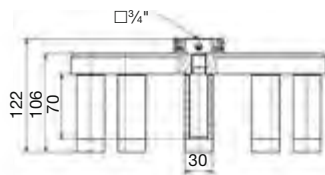
Handwheel set

- Handwheel adapter in two sizes
- Up to five separately changeable carrier dogs
- Plastic coating for preventing surface damage

Adapter 165



Adapter 245



Type	Art. no.	Drive [inches]	Spindle pitch circle Ø [mm]	Torque max. [Nm]
Handwheel adapter 165	78857	3/4"	165	1000
Handwheel adapter 245	78858	3/4"	245	1000

Underground hydrant set

(Art. no. 79598)

- Extendable extension (up to 1,500 mm)
- Adapter with six different coupling sleeves (DN 40 to DN 350)



Coupling sleeve acc. to DVGW GW336	X1 □ [mm]	X2 □ [mm]	X3 □ [mm]
Coupling sleeve for household	12	14	25
Coupling sleeve 14/17 DN 40/50	14	17	25
Coupling sleeve 17/19 DN 65/80	17	19	25
Coupling sleeve 19/22 DN 100/150	19	22	25
Coupling sleeve 24/27 DN 175/200	24	27	25
Coupling sleeve 27/32 DN 250/350	27	32	25



Accessories

Diagnostic Setting Software (DSS)
(Art. no. 72032)

Locking of individual power settings enable tightening at a defined torque and electronic tool diagnostics at a PC.



Inverter
(Art. no. 10233)

Recharge batteries while driving your car or from any common 12-V battery. Power: 300 Watts



6.0 Ah li-ion battery
(Art. no. 75373)

For special requirements



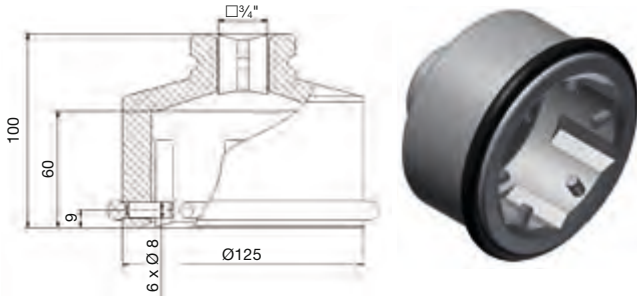
Charger, 230 V (Art. no. 77979)
or 110 V (Art. no. 77980)

Rapid charger with active cooling and USB port for charging small electric devices like smartphones or tablets.



Custom designs

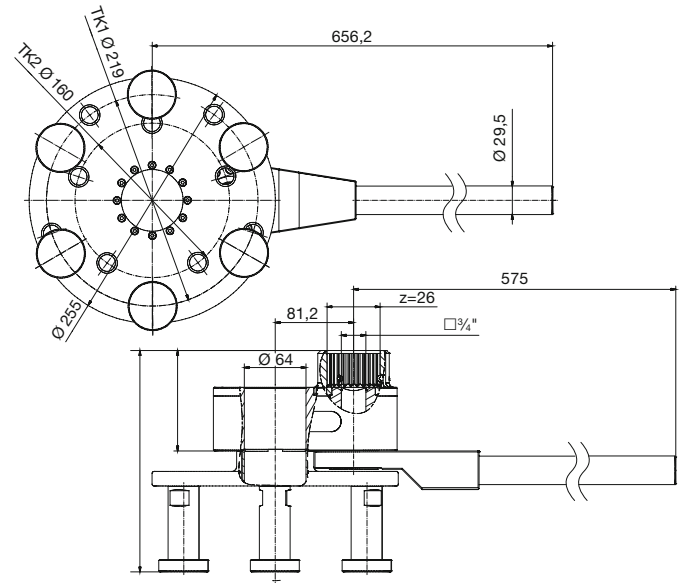
Ring hole socket for above-ground hydrants
(Art. no. 79711)



Custom designs available upon request

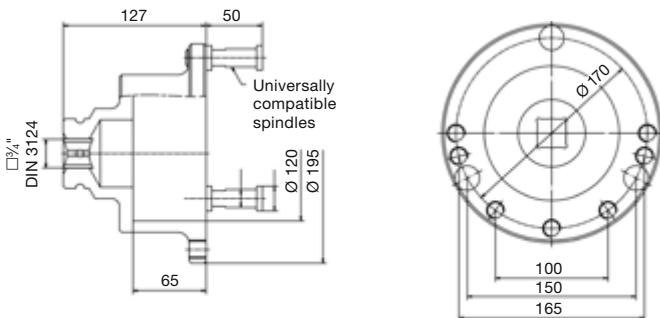
Offset gear
(Art. no. 79698)

Handwheel adapter for handwheels with protruding spindle



Custom designs available upon request

Gate valve socket for handwheels
(Art. no. 79690)



Our *motion* range is also available with electric or pneumatic drive: **DP***motion* & **DE***motion*

Utmost safety is especially important in potentially explosive workspaces, for example in the chemical or petroleum industries. This is why we have expanded our *motion* range to the DP pneumatic nutrunner: available as an ATEX-certified version, it meets the stringent requirements for almost all high-hazard EX zones.

Our reliable and robust electric nutrunners are included in our DEmotion range as well. They are perfectly suitable for valves and underground hydrants.



トルク検定・校正サービス

お持ちの電動レンチ、エアレンチのトルク校正を承ります。最大5万Nmまで測定。



油圧トルクレンチ SC型

ソケット交換型：全18機種。
50~65,000Nm。±3%トルク管理



油圧トルクレンチ VS型

センターホール型：全172機種。
80~45,000Nm。±3%トルク管理



ハンズフリー共回りストッパー

下向きでも落させずハンズフリー！
ボルトの共回りを防止します。

お問い合わせ窓口 ☎ 0120-500-207

最新情報 www.plarad.net



株式会社 日本プララド

E-Mail : info@plarad.net

本 社 〒651-2404 兵庫県神戸市西区岩岡町古郷 255-6
TEL 078-967-3556 FAX 078-967-3567

関東支社 〒230-0062 神奈川県横浜市鶴見区豊岡町 26-10
TEL 045-570-5333 FAX 045-585-5656

全国拠点 札幌、仙台、埼玉、横浜、大阪、神戸、愛媛、北九州

プララド製品のご購入、レンタルは